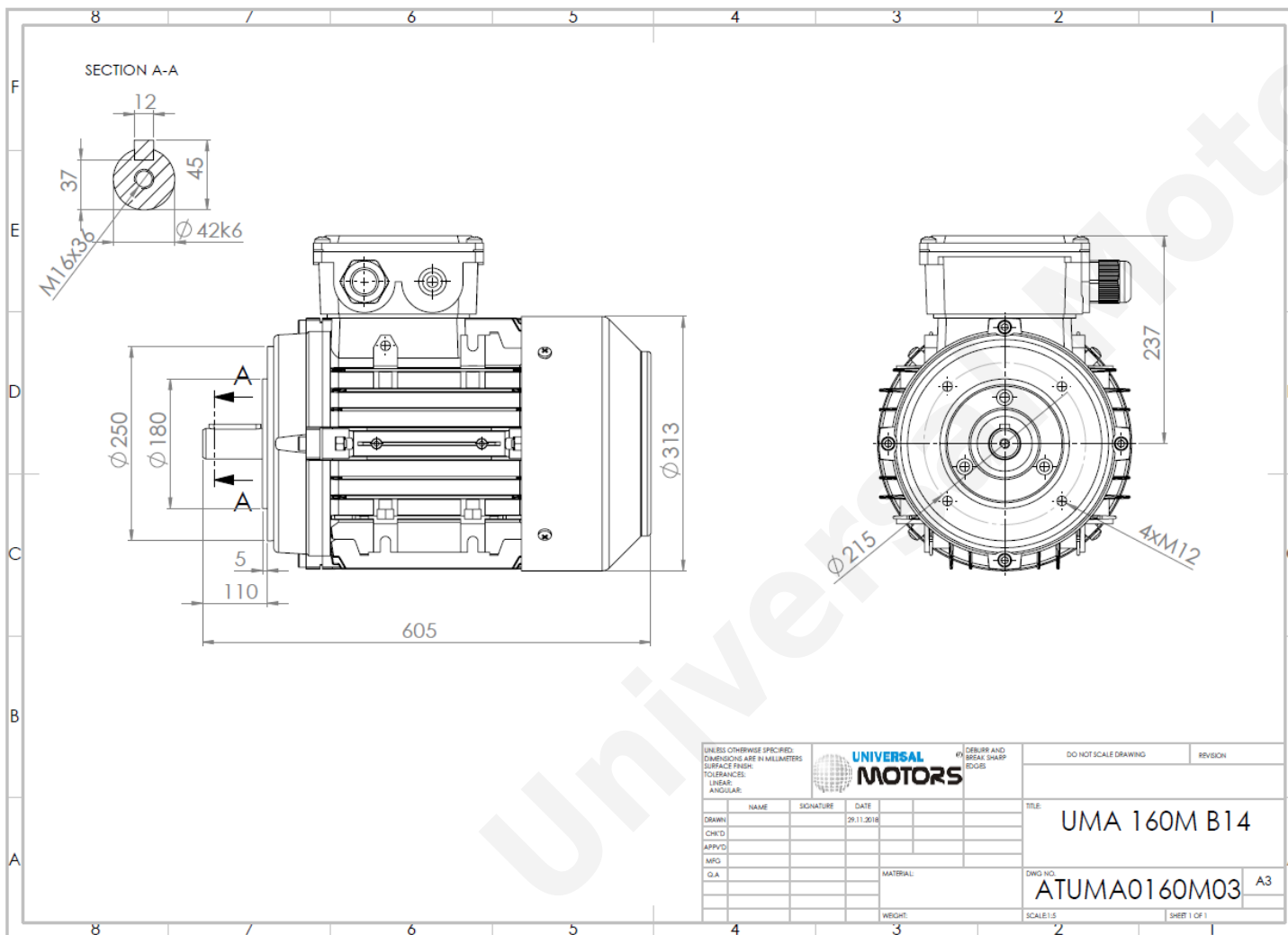




TECHNICAL DATA

Three Phase Electric Motors - Aluminum Frame
 UM3A 160M2-2 IE3
 15 kW / 20 Cv
 RPM



Motor type:	UM3A 160M2-2 IE3
Output:	15 kW / 20 Cv
Frequency:	50 Hz
Voltage:	400 V
Current:	26.5 A
Power factor (Cos Ø):	0.89
Poles:	2
Insulation class:	F
Temperature rise Class:	B
Efficiency 50%:	89.9 %
Efficiency 75%:	91.5 %
Efficiency 100%:	91.9 %
Torque:	49 N.m
Tstarting/Tnominal:	3.9
Istarting/Inominal:	11.4
Tmaximum/Tnominal:	4.2
Noise:	86 Db(A)
Weight:	104 Kg
Brake AC:	AC8
Torque Brake DC:	200 N.m
Bearing DE:	6309 2Z
Bearing NDE:	6309 2Z
Torque Brake AC:	200 N.m
Brake DC:	K8

Regime - S1

Altitude - 1000m

Environment Temperature - 40°C

CONTACTS:

UNIVERSAL MOTORS Tel: +351 252 299 080
 Rua de São Brás,745 Fax: +351 252 299 089
 4480-782 VILA DO CONDE Mail: geral@universalmotors.pt

* References applied only in the UK